

RS FORMWORK & ACCESSORIES

(15mm Φ - SWL 9.5 TONS)



- Wingnut for 15 High Tensile Tie bar SWL 9.5 Tons



- Hex Nut 55mm Long for 15mm Φ High Tensile Tie
- Tie Bar Connector 110mm Long for 15mm dia Tie bar SWL 9.5 Tons



- 130x130x10mm Washer for 15mm Φ High Tensile Tie Bar
- 130x130x12mm Washer for 20mm Φ High Tensile Tie Bar



- Steel Cone for 15mm Φ High Tensile Tie Bar SWL 9.5 Tons



- Water Barrier for 15mm Φ High Tensile Tie Bar SWL 9.5 Tons



- Anchor Screw – M24x280mm Long
- Anchor Screw – M24x 200mm Long

FARS

Engineering Limited

FARS Engineering Limited

Tel: (852) 2724-6689 Fax: (852) 2635-6066

E-mail: admin@fars-engineering.com

RS FORMWORK & ACCESSORIES (20mm Φ - SWL 16.5 TONS)



130x130x12mm tks Washer with 25mm
dia holes at centre - for 20mm Φ High
Tensile Tie Bar



Hex Nut for 20mm Φ High Tensile Tie
Bar SWL 16.5 Tons



20mm Φ continuous threaded High
Tensile Tie Bar SWL 16.5 Tons
Grade 950/1050



FARS Engineering Limited

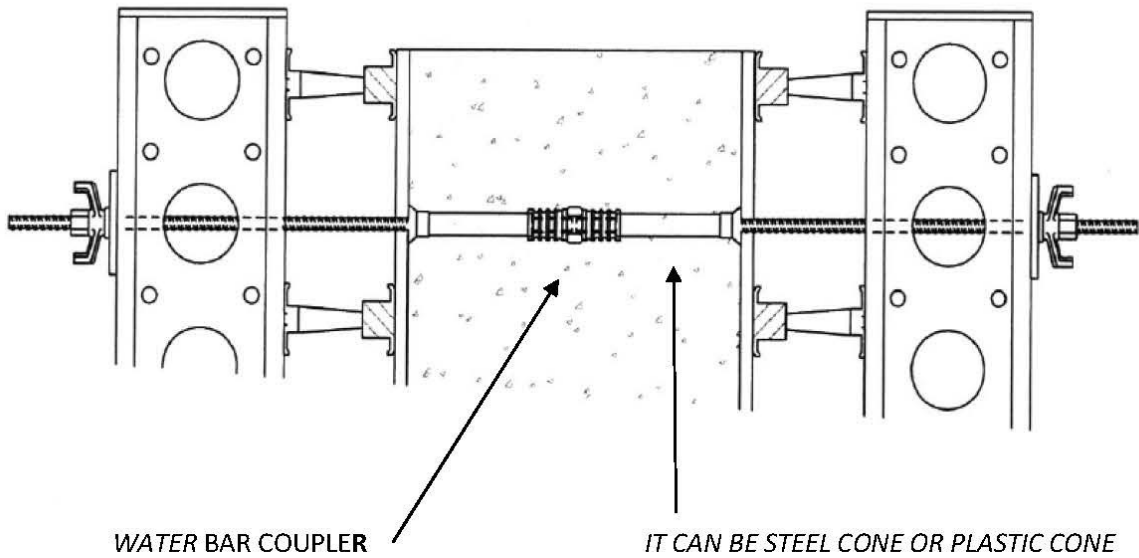
Tel: (852) 2724-6689 Fax: (852) 2635-6066

E-mail: admin@fars-engineering.com

15MM DIA WATER-BAR COUPLER IS USED FOR INTERNALLY WHICH THE WALL REQUIRED TO BE WATER PROOF.

THE WATER-BAR COUPLER IS MANUFACTURED FROM CAST IRON AND IS TOGETHER WITH 15MM HIGH TENSILE TIE BAR WITH SWL 95KN

Maximum water pressure = 300kPa (30m Head)



Sample No.	Maximum Failure Load (kN)	Fracture Position
1	196.8	Tie Bar



CONTACT TEL. NO. : 2724-6689 ; FAX NO.: 2635-6066 ;

EMAIL ADDRESS: robertcwng@fars-engineering.com, or admin@fars-engineering.com